

KEY FEATURES

- Switching Power Module for PCB Mountable
- Fully Encapsulated Plastic Case
- Universal Input Range 90-264VAC, 47-63 Hz
- Low Ripple and Noise
- Isolation Class II
- Maximum No-Load Watts < 0.3W
- CE , UL Approval
- 2-Years Product Warranty

' K Uhg'G9F =9G



ELECTRICAL SPECIFICATIONS

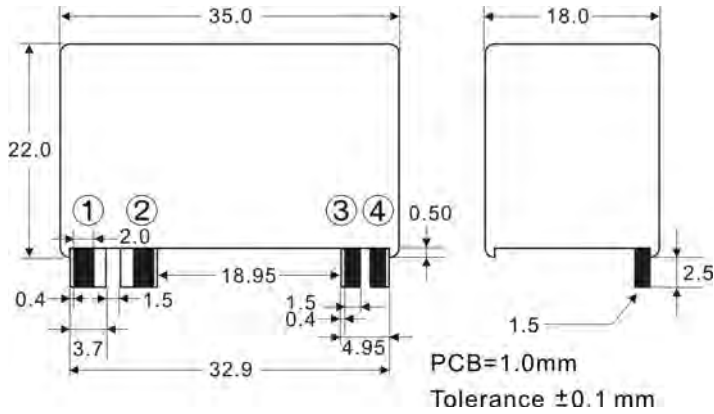
Model No.		3.3S	5S	9S	12S	5S	24S
Max Output Wattage (W)		2.97W	3W	3W	3W	3W	3W
Input	Voltage	90-264 VAC or 120-370 VDC					
	Frequency (Hz)	47-63 Hz					
	Current (Full load)	75 mA max. (115 VAC) / 55 mA max. (230 VAC)					
	Inrush Current (<500us)	20 A max. (115 VAC) / 50 A max. (230 VAC)					
	Leakage Current	0.3 mA max.					
	External Fuse (recommend)	1 A slow blow type					
Output	Voltage (V.DC.)	3.3V	5V	9V	12V	15V	24V
	Voltage Accuracy	±10%					
	Current (mA) max	900	600	333	250	200	125
	Line Regulation (LL-HL) (typ.)	±5%		±2%			
	Load Regulation (0-100%) (typ.)	±5%		±2%			
	Minimum Load	0%					
	Maximum Capacitive Load	14000uF	8000uF	3200uF	1500uF	1000uF	470uF
	Ripple & Noise	<100mV max (Vp-p)					
	Efficiency	70%	72%	76%	76%	76%	77%
	Hold-up Time	15 ms min.					
Switching Frequency	132±8 KHz						
Protection	Over Power Protection	Hiccup technique, auto-recovery					
	Over Voltage Protection	Zener diode clamp					
	Short Circuit Protection	Hiccup mode, indefinite (automatic recovery)					
Isolation	Input-Output (V.AC)	3750V					
Environment	Operating Temperature	-40°C...+85°C (with derating)					
	Storage Temperature	-40°C...+125°C					
	Temperature Coefficient	±0.02%/°C					
	Humidity	95% RH					
	MTBF	>350,000 h @ 25°C (MIL-HDBK-217F)					
Physical	Dimension (L x W x H)	1.37 x 0.71 x 0.86 Inches (35.0 x 18.0 x 22.0 mm) Tolerance ±0.5 mm					
	Case Material	Plastic resin with Fiberglass (flammability to UL 94V-0)					
	Weight	26 g					
	Cooling Method	Free air convection					
Safety	Agency Approvals	UL , cUL , CE (Pending)					
EMC	EMI (Conducted & Radiated Emission)	EN 55022 class B (Pending)					
	EMS (Noise Immunity)	EN 55024 (Pending)					

All specifications valid at nominal input voltage, full load and +25°C after warm-up time unless otherwise stated.

+V : Measured with 47µF/25V Ceramic Cap. Cross to output.

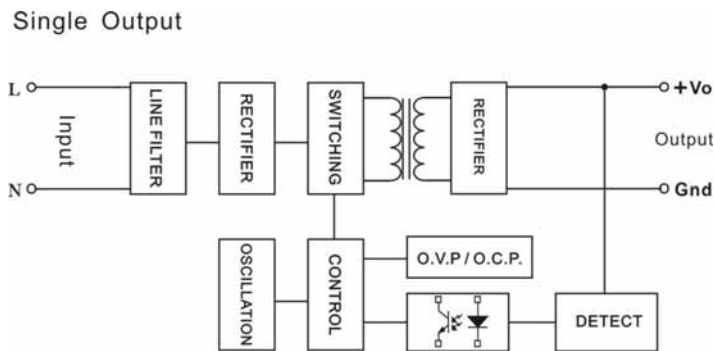
K Uhj G9F =9G

MECHANICAL DIMENSION (Top View)



PIN#	SINGLE
1	AC IN (L)
2	AC IN (N)
3	+DC OUT
4	-DC OUT

BLOCK DIAGRAM



DERATING

